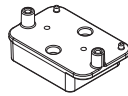




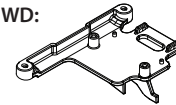
Expander Mount Installation Instructions

Covers Part #6554X

Use this kit part for the Rustler or the Bandit:

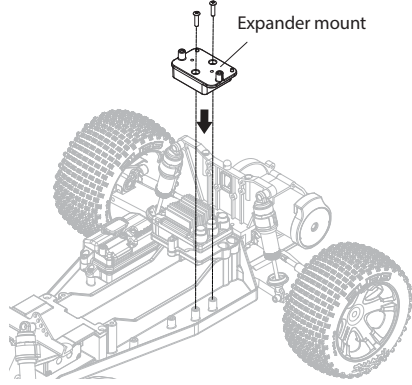


Use this kit part for the Slash 2WD:



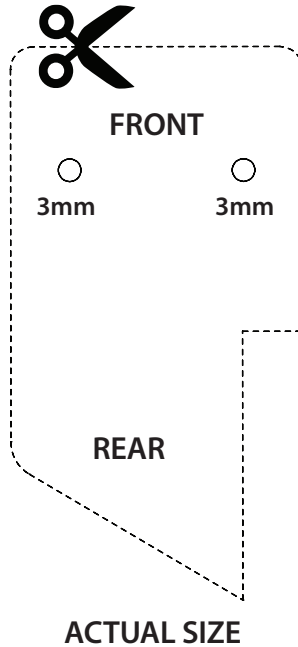
Rustler, Bandit

1 Install the Expander mount.

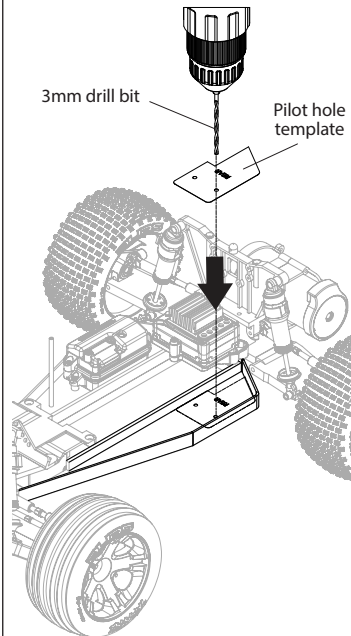


NOTE: If your chassis DOES NOT have molded-in screw bosses for the expander mount, follow the directions below:

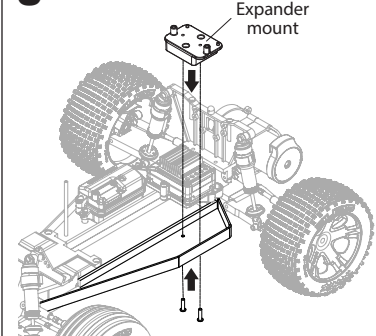
1 Cut out this template to use when drilling the pilot holes in the chassis in Step 2.



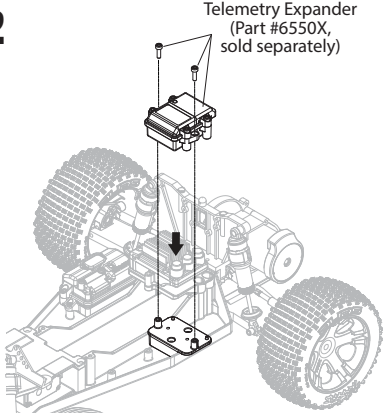
2 Please wear safety glasses. Drill the pilot holes.



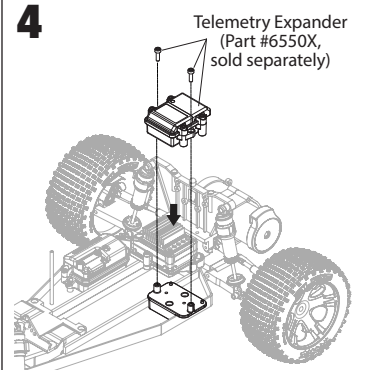
3 Install the Expander mount.



2 Telemetry Expander (Part #6550X, sold separately)

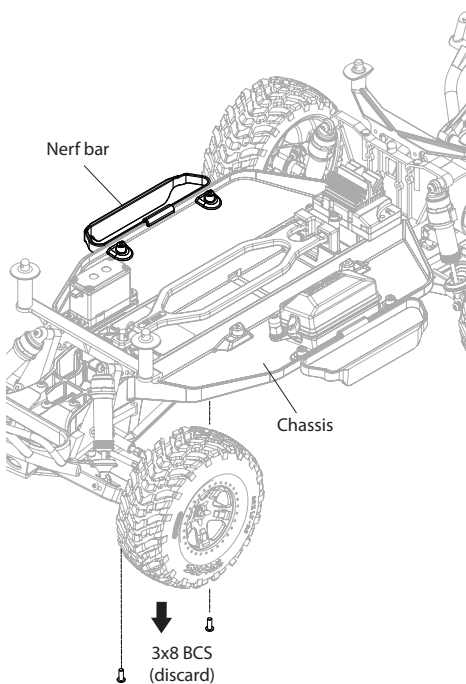


4 Telemetry Expander (Part #6550X, sold separately)

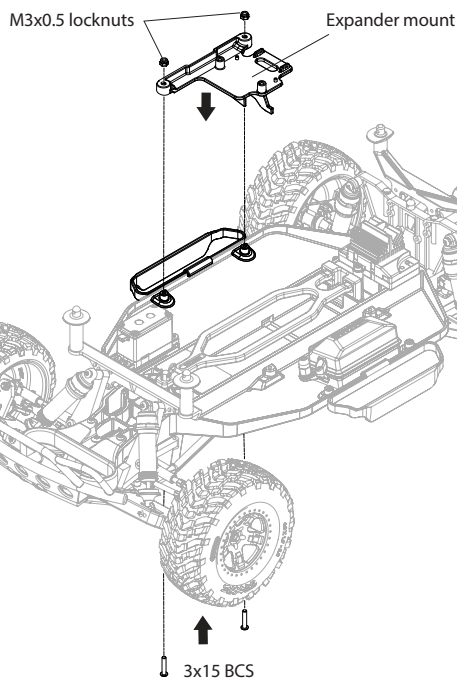


Slash 2WD

1 Remove the 3x8 BCS (2) from the nerf bar and discard.



2 Install the Expander mount using 3x15 BCS (2) and M3x0.5 locknuts (2).



3

